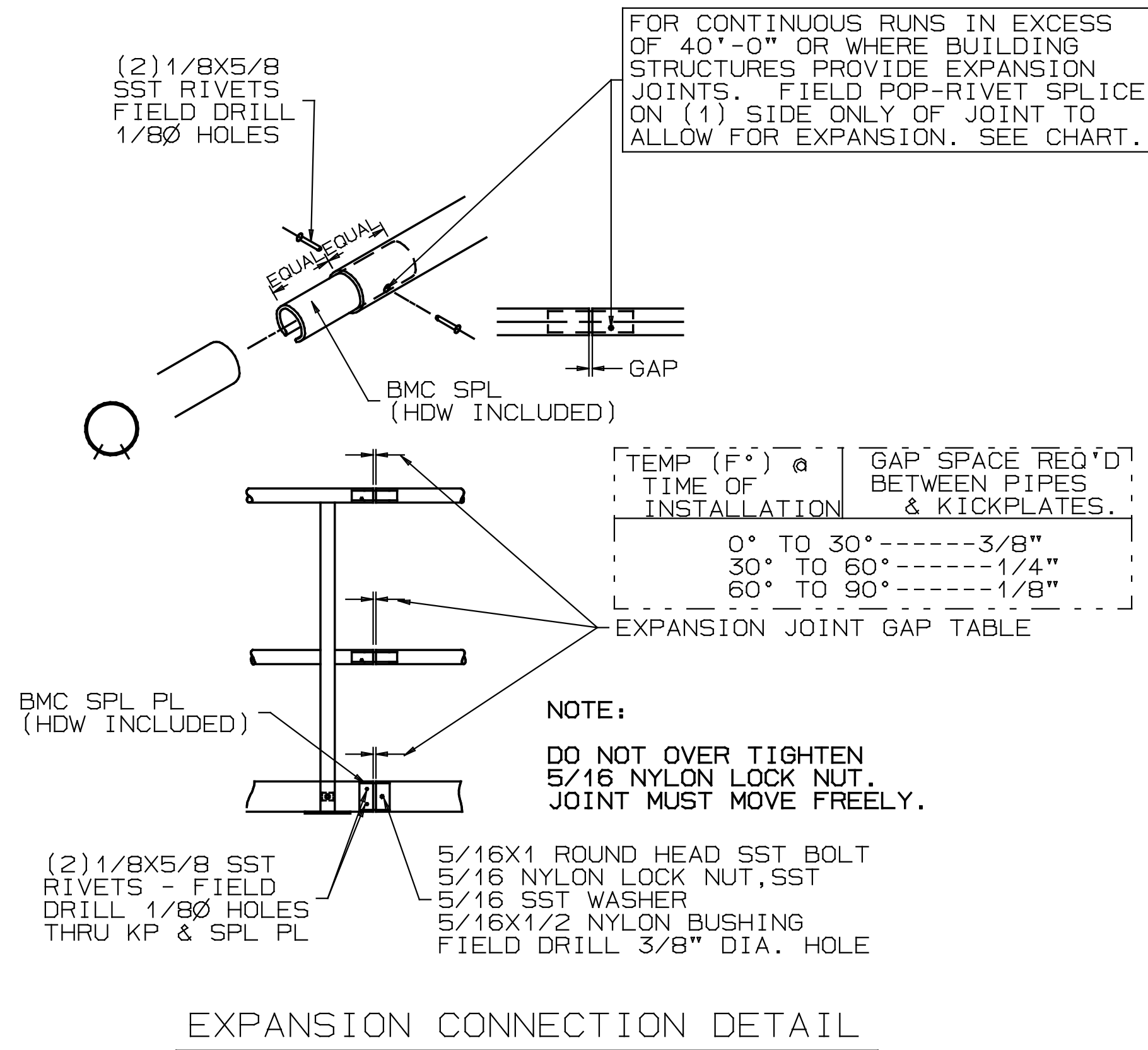
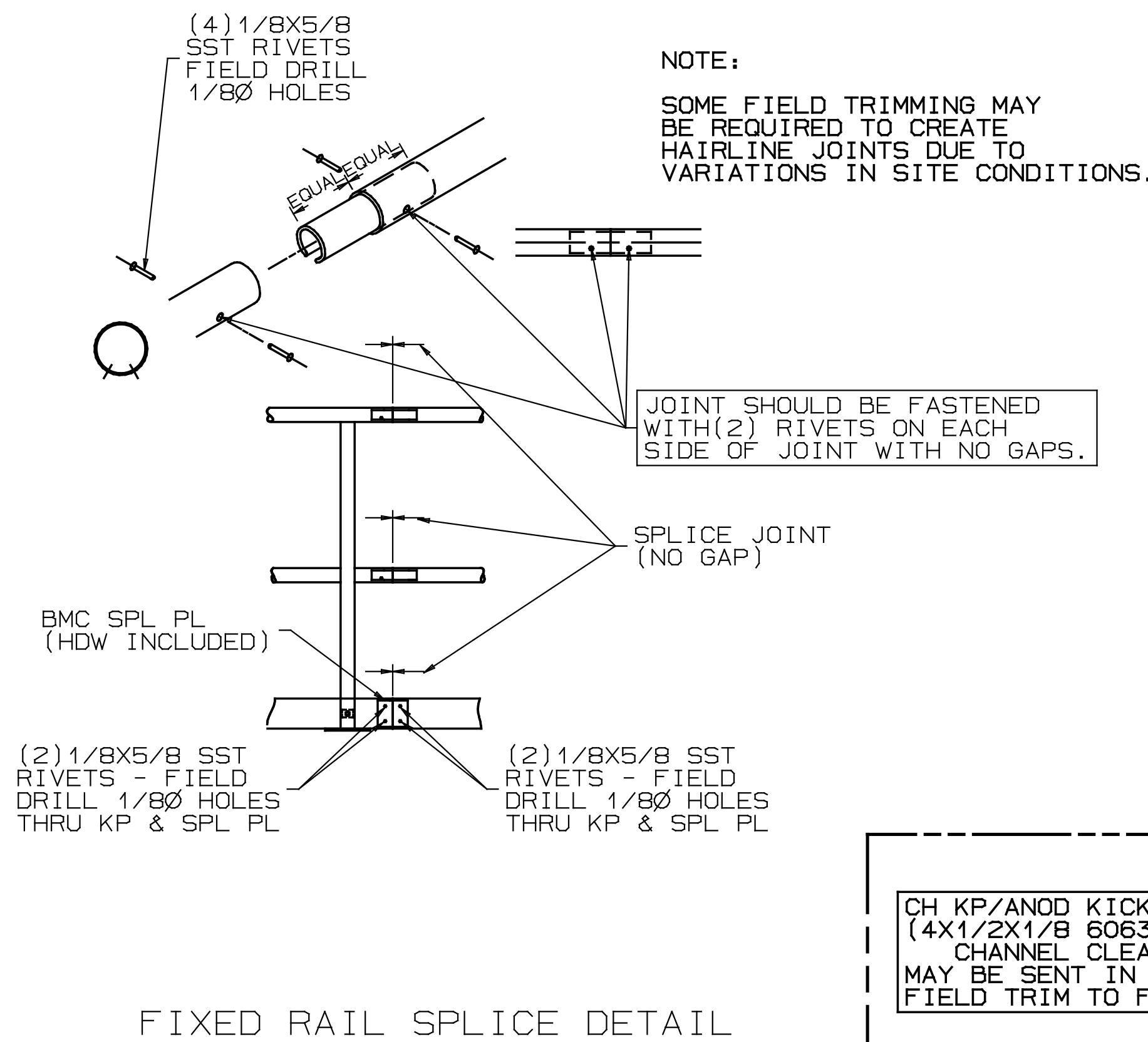


INSTALLATION INSTRUCTIONS

- 1) Rails should be stored in an area protected from the elements. Protect the railing finish from scratches, nicks, gouges, dents, etc. The plastic wrapping shall be removed at the contractor's discretion. Breuer Metal Craftsmen is not responsible for damage to the rails after they are delivered and accepted by the contractor.
- 2) Start erecting rails from the building or other fixed object and work towards the free end. Check all rails for proper fit (plumb and level) before final anchorage is made. Contact Breuer Metal Craftsmen with any problems which may arise so that our engineering department may resolve the issue.
- 3) The contractor is responsible for using the correct hardware to install the rails. The railing work order number must match the work order number on the hardware box. Breuer Metal Craftsmen will not be responsible for lost hardware or shortages that occur from not using the properly designated hardware. (Work order # example: 4500-10)
- 4) Field check for expansion joints and install BMC splice units as detailed. Gapping splice joint as indicated in the gap table.
- 5) Breuer Metal Craftsmen shop coats all aluminum areas in contact with dissimilar materials with bituminous paint. Field check as erecting rails that all areas have been coated as required.
- 6) Breuer Metal Craftsmen is not responsible for any field reworking, cutting or changes made to the railing unless authorized and approved by Breuer Metal Craftsmen, Inc.
- 7) BMC rail systems have been tested per A.S.T.M. E935-83 standard test methods for metal railing systems. Test results are available upon request.
- 8) Clean rails by washing with warm water and soap.

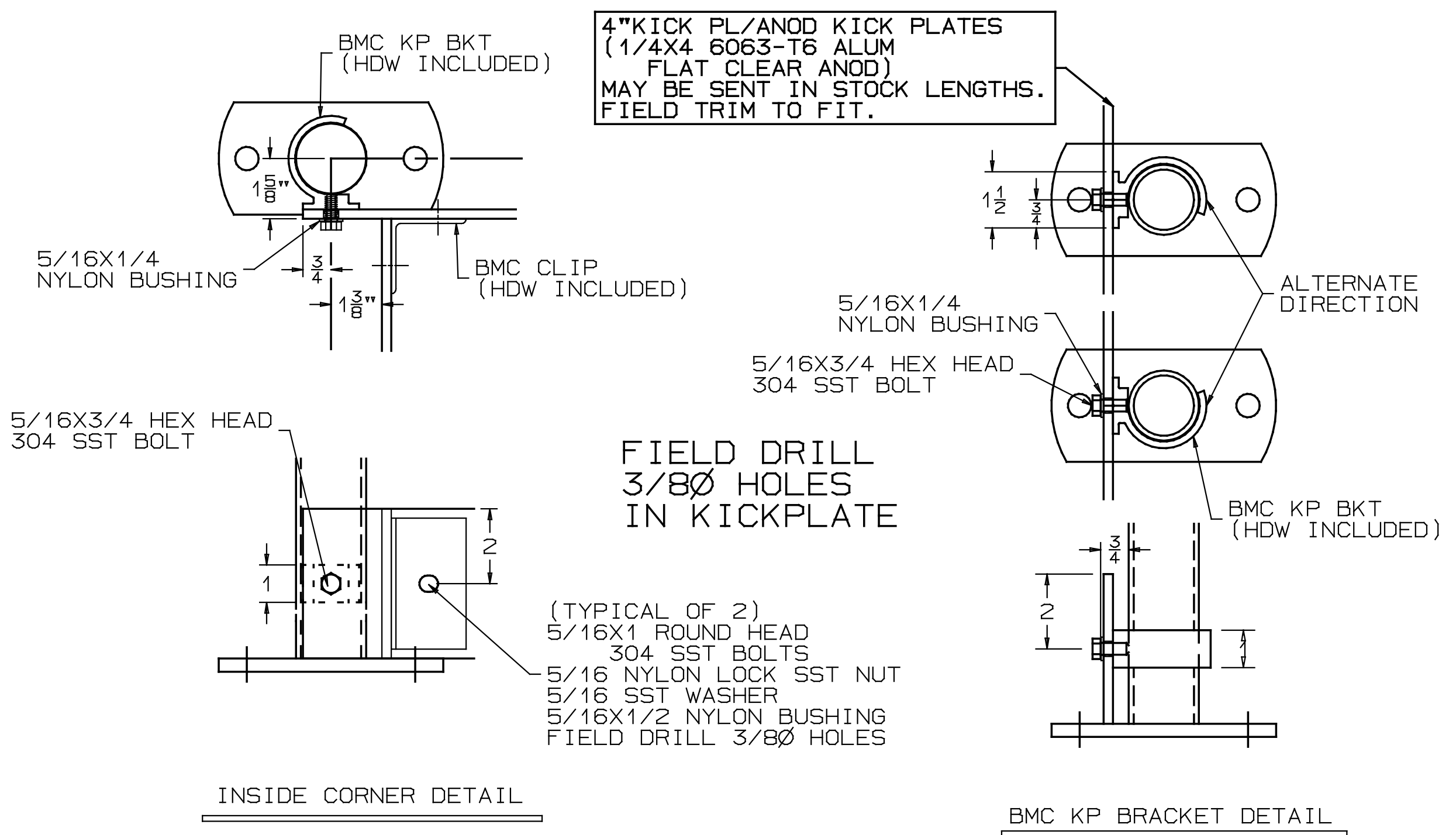


EXPANSION CONNECTION DETAIL



FIXED RAIL SPLICE DETAIL

CH KP/ANOD KICK PLATES (4x1/2x1/8 6063-T6 ALUM CHANNEL CLEAR ANOD) MAY BE SENT IN STOCK LENGTHS. FIELD TRIM TO FIT.

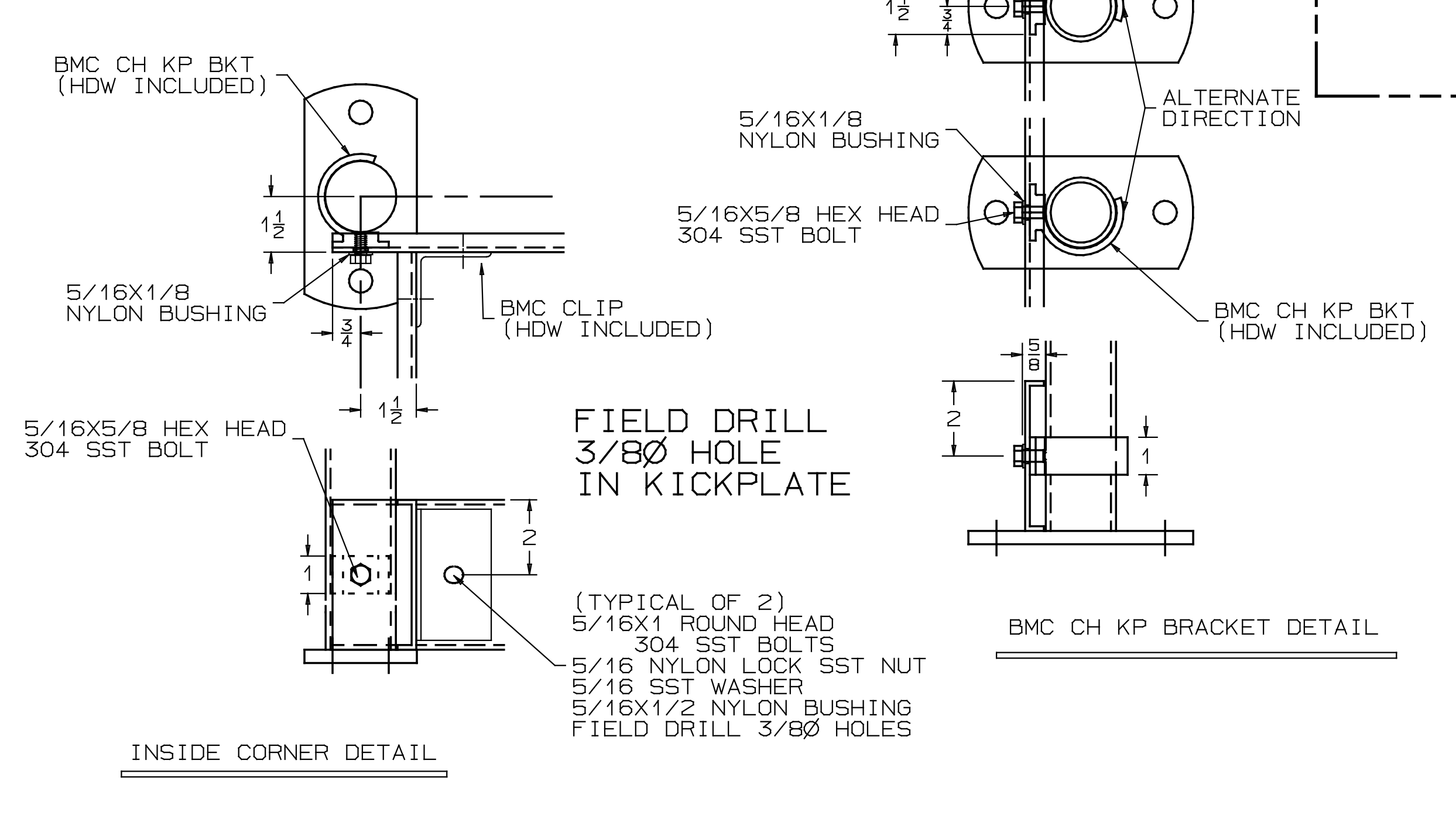


INSIDE CORNER DETAIL

BMC KP BRACKET DETAIL

OUTSIDE CORNER DETAIL

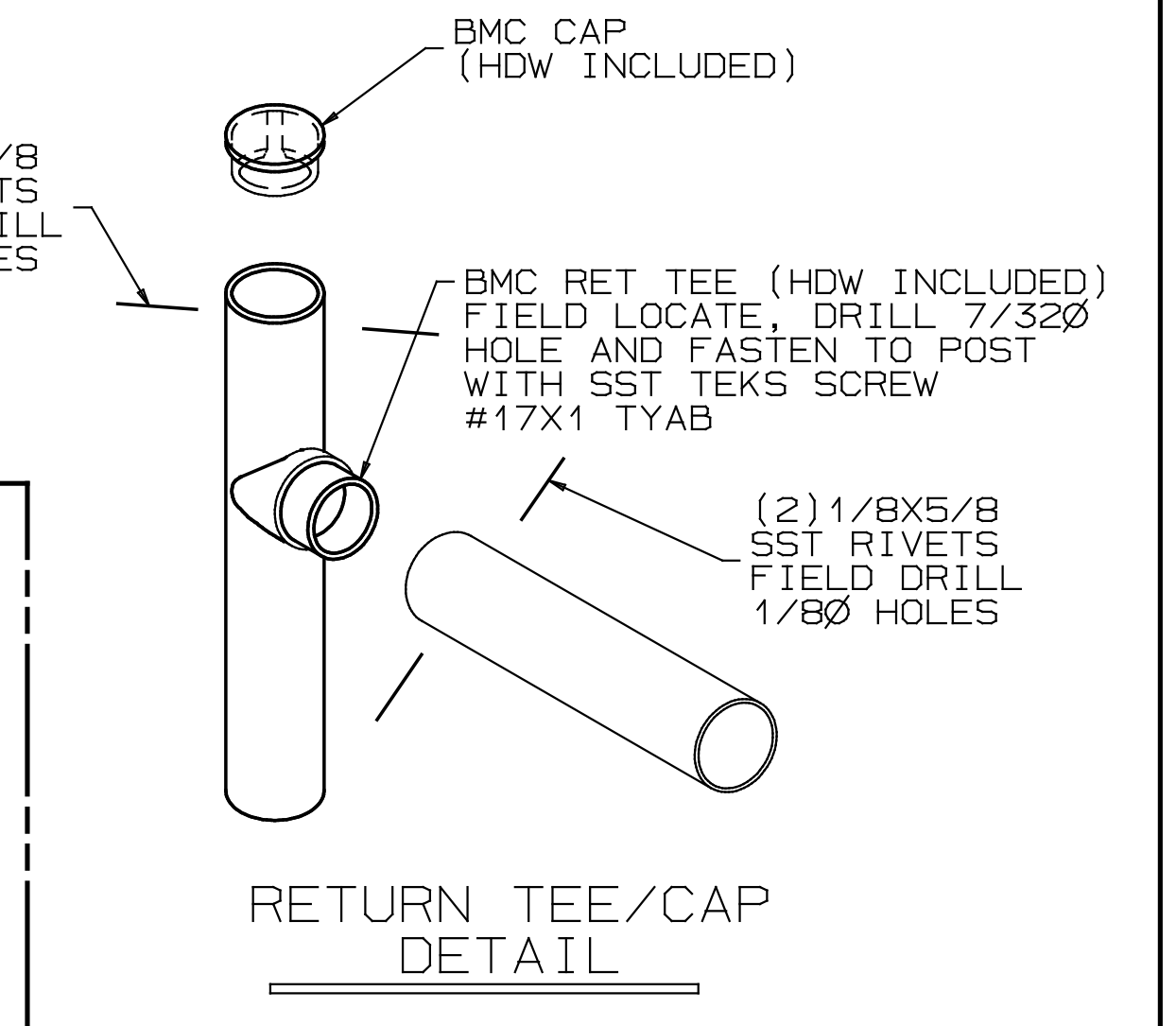
FLAT KICK PLATE DETAILS



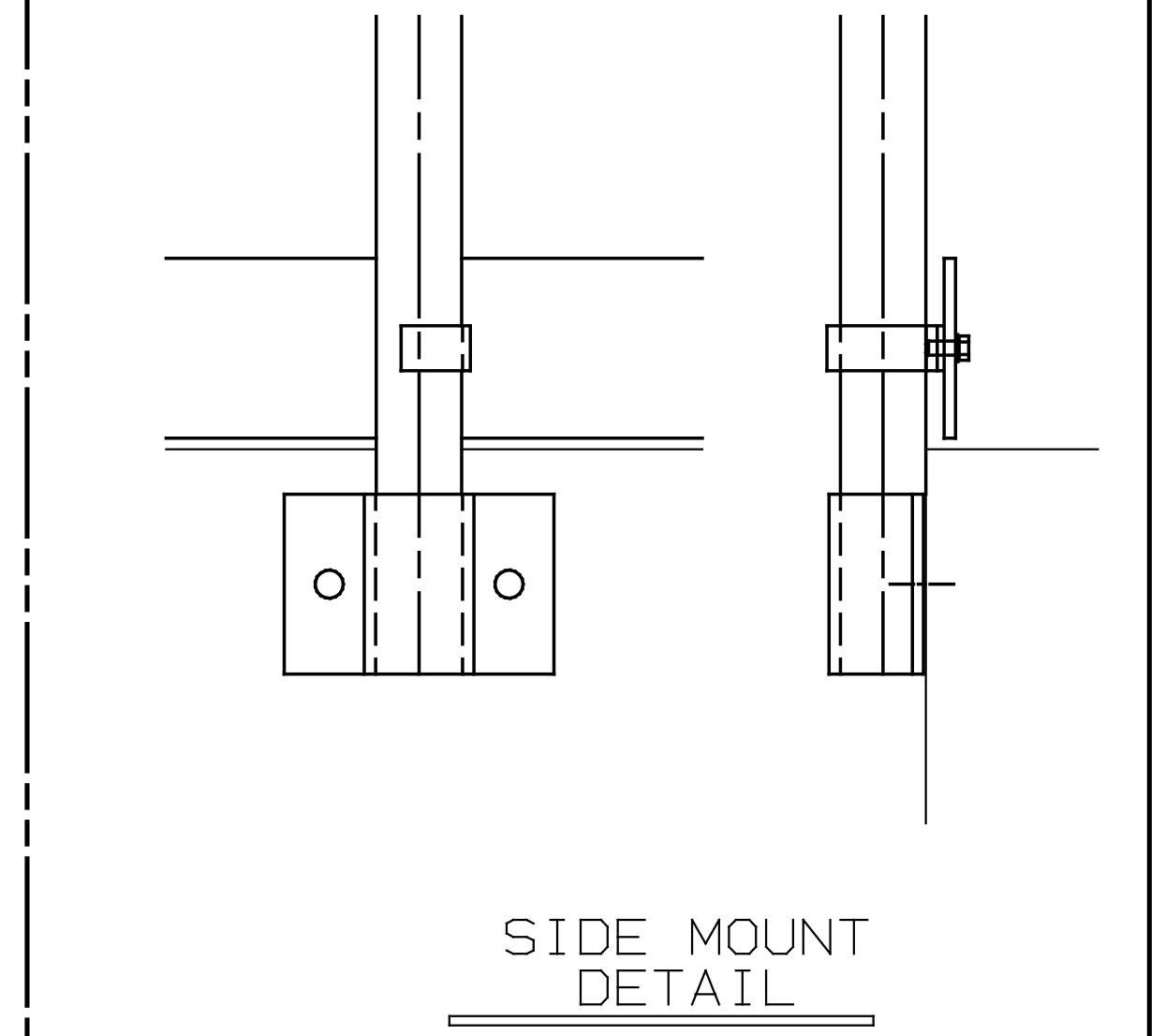
INSIDE CORNER DETAIL

OUTSIDE CORNER DETAIL

CHANNEL KICK PLATE DETAILS



RETURN TEE/CAP DETAIL



SIDE MOUNT DETAIL

SCALE: NONE
 DETAILER: PCS
 DATE: 3/20/07
 BREUER METAL CRAFTSMEN, INC
 500 BEICHL AVE.
 BEAVER DAM, WI 53916
 (920) 885-2828 FAX (920) 885-2835
 WEBSITE: www.breuermetal.com
 E-mail: craftsmen@breuermetal.com